

# OCS®Smart

BLUETOOTH LOCK

**ojmar**  
SMART LOCKING



**SMARTPHONE  
+ KEYPAD  
OPERATION**

## **SIMPLE OPERATION. SMART MANAGEMENT.**

The Bluetooth enabled OCS®Smart lock makes operating and managing your lockers convenient and safe. Use the waterproof keypad or go touch-free and access your locker with your phone- no more keys, cards or codes to manage.

It's that simple.



# DATASHEET



**SMART  
Design**



**SMART  
Health**



**SMART  
Security**



**SMART  
Management**



**SMART  
Use**



**SMART  
Wireless**

## SPECIFICATIONS

### TECHNOLOGY



<b>Authentication Method</b>	Code & Bluetooth
<b>Reading Distance</b>	Up to 1m / 3ft (Between Phone & Lock)
<b>Communication Standard</b>	Bluetooth
<b>Bluetooth OS</b>	Android & iOS
<b>Smart Apps</b>	SMART User App SMART Maintenance App

### ELECTRICAL

<b>Batteries (Type / Quantity)</b>	4 VARTA Type AA Alkaline Batteries
<b>Battery Life</b>	Up to 5 years at Room Temperature

### MECHANICAL

<b>Front Handle Dimensions</b>	119 mm x 62 mm x 8 mm (4 5/8" x 2 7/16" x 5/16")
<b>Weight</b>	453g / 16oz (E-17.5 Long Screws)
<b>Lock Strength</b>	1000 N / 225lbs Pulling Force

### ENVIRONMENTAL CONDITIONS

<b>Temperature</b>	From -10°C to 42°C / 14°F to 108°F (indoors)
<b>Humidity</b>	< 97 % (Non-condensing)
<b>Protection</b>	Impact - IK09 Water / Particulate Ingress - IP55

### COMPATIBILITY

<b>Door Material</b>	Laminate / Glass / HPL Laminate / Metal / Melamine
<b>Door Thickness</b>	24mm
<b>Door Handing</b>	Non-handed

## COLORS



**SILVER**



**GRAPHITE**



**WHITE**

## FEATURES

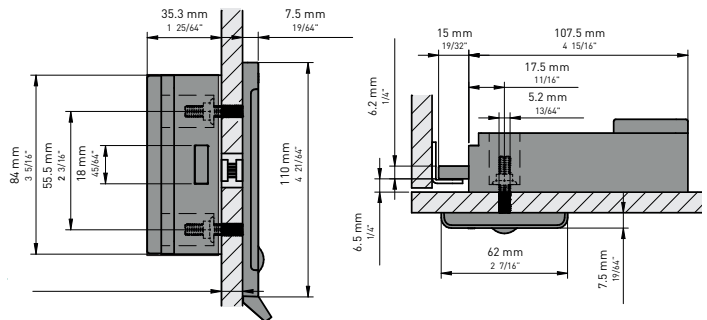
- Touchless Bluetooth + Keypad Operation
- Smartphone Apps (User & Manager)
- Wipe-clean Hygienic Touchpad
- Waterproof IP55 Rating
- Public and Private User Modes
- Easy, Cable-Free Installation
- Simple Integration: No Complicated Software
- SDK for (Optional) Integration with Your App
- Hi-Tech, Low-Profile Slimline Design

## KEY MANAGER BENEFITS

- Program or update locks individually or by batch
- Assign digital master keys remotely to authorized Managers
- Audit report on lock activity and status
- Convenient Realtime lock battery status notification
- Can set locks to be User operated by mobile device or keypad
- Eliminate need for additional electronic keys to manage locks

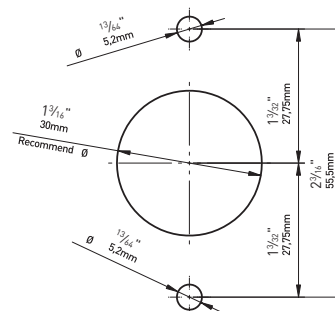
## KEY USER BENEFITS

- Never forget locker number - stored on User mobile device when locker selected
- Never need or forget code. Mobile device paired with lock will open lock and stores digital code if required.
- Hygienic, crevice free keypad



**SIDE VIEW**

**TOP VIEW**



**FIXING TEMPLATE**